



Combo Products
BULLETIN NUMBER: 018
DATE: Nov, 1977
RELATED BULLETIN NO.

Service News

Issued by YAMAHA Electronic Products Service Division

CS-80

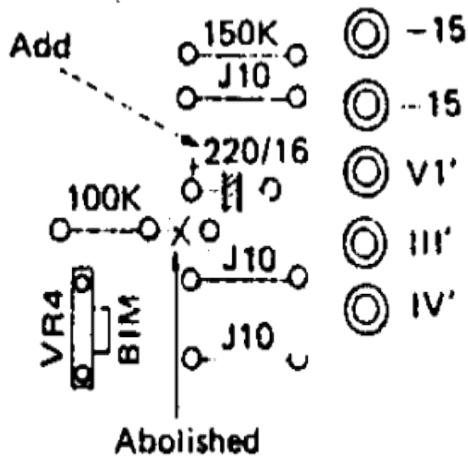
SUB P. C. BOARD ALTERATION

Regarding the Combosynthesiser, when the Brilliance of Touch Response is at maximum, to avoid unusual Vibration of IC (iG00150) the following alterations are made:

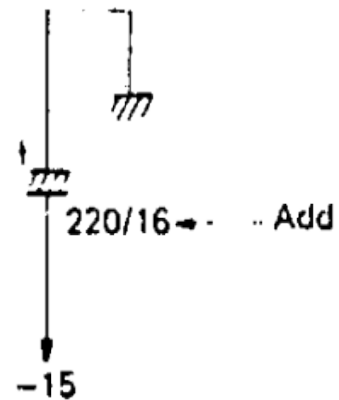
ALTERATION CONTENTS:

1. SUB P.C.Board NA 03570

Between - 15V and Earth, the Electrolysis CAPACITOR 220 μ /16V FJ23822 (1 unit) is added.



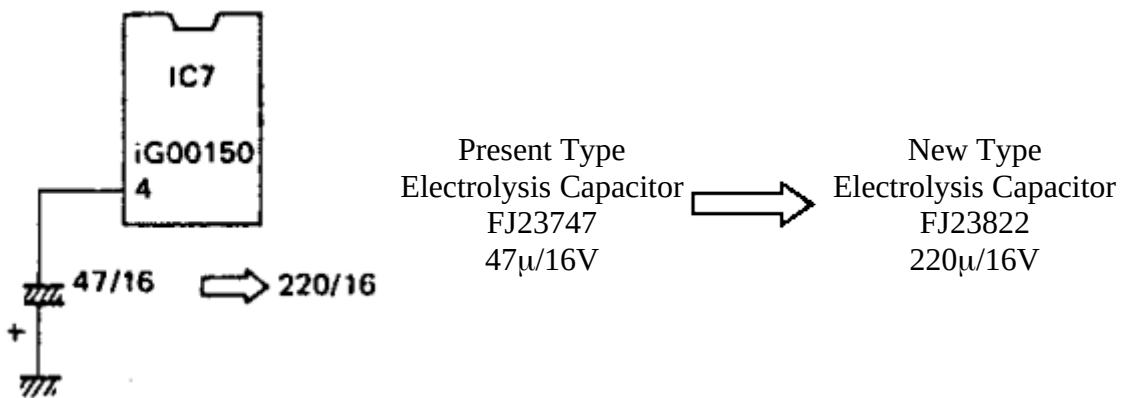
(SUB SHEET Assembling chart)



Circuit chart

* Printed Base Plate will be changed from January 1978 Production.

2. SUB P. C. Board iG00150 Electrolysis CAPACITOR Fixed Number is also changed.



PRODUCTS ENFORCEMENT PERIOD:

CS-80 TYPE October 1977 Production. No. 1120 ~