



|                                |
|--------------------------------|
| Combo<br>Products              |
| BULLETIN NUMBER:<br><b>046</b> |
| DATE: JAN 1978                 |
| RELATED<br>BULLETIN NO.        |

# Service News

Issued by YAMAHA Electronic Products Service Division

**CS-50 . CS-60**

**CS-80**

## SUSTAIN 1 PITCH DROP

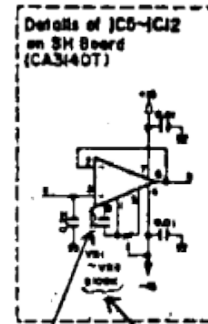
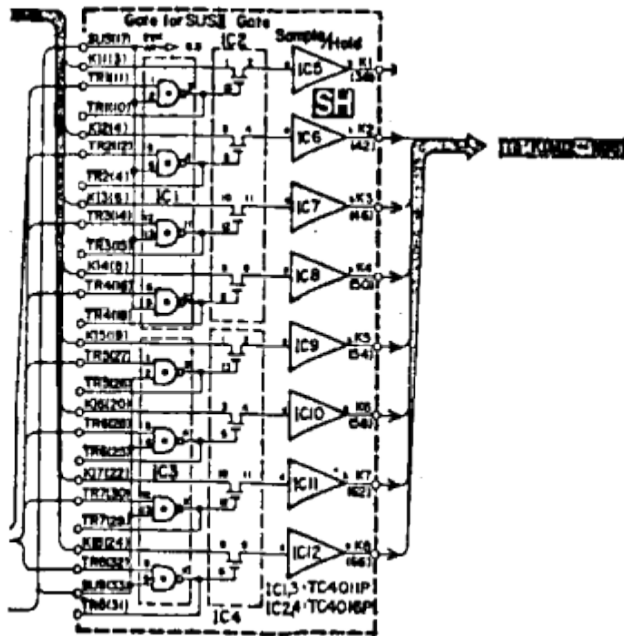
---

In some cases, it has been found that there is a certain amount of reduction in the attenuation pitch in SUS 1 LONG in the CS-50, 60 and 80 component synthesizers.

If this problem should arise, please repair in the following manner.

SH Circuit Board NA03792---CS-50

SH Circuit Board NA03793---CS-60, 80



Delete B10K  
(For each channels)

1. IC5 12  
IG00222 CA3140T
2. VR1 8 Variable Resistors  
HT56010 B100K
3. FG11210 Ceramic Capacitor

- IC5 12  
IG02560 TA7505M
- VR1 8 Variable Resistors  
HT56007 B10K
- Delete

**SCHEDULED CHANGED IN PART PRODUCTION:**

Model CS-50 SER No. 1976~  
 Model CS-60 SER No. 1586~  
 Model CS-80 SER No. 1255~